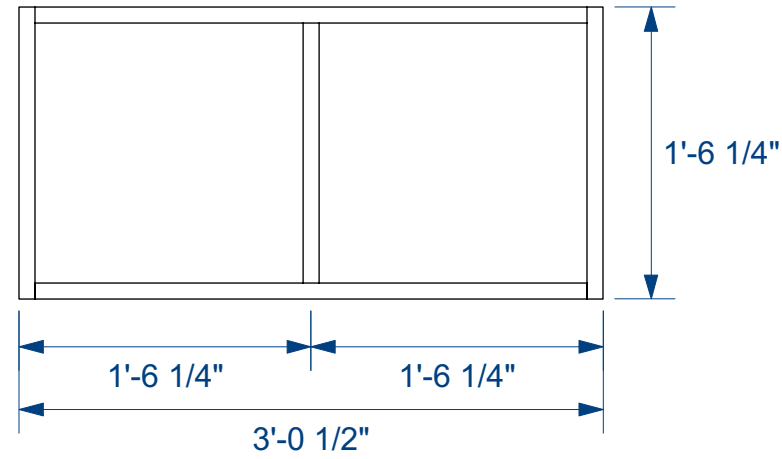
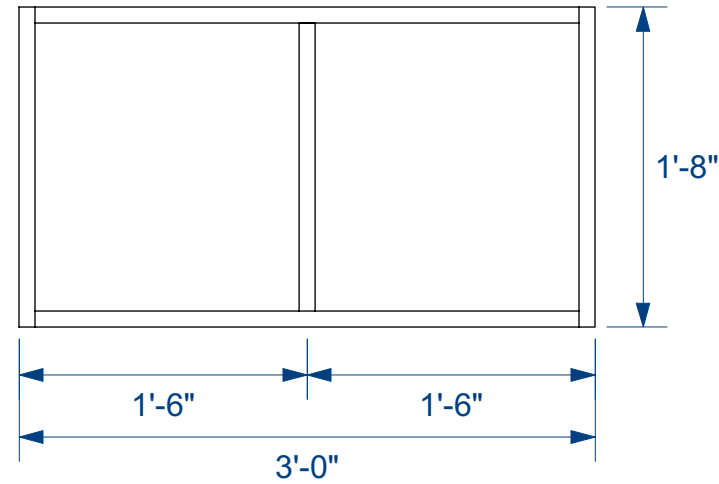


BUILD FROM 1" BOX STEEL
FACE & FILLET WELD ALL JOINTS



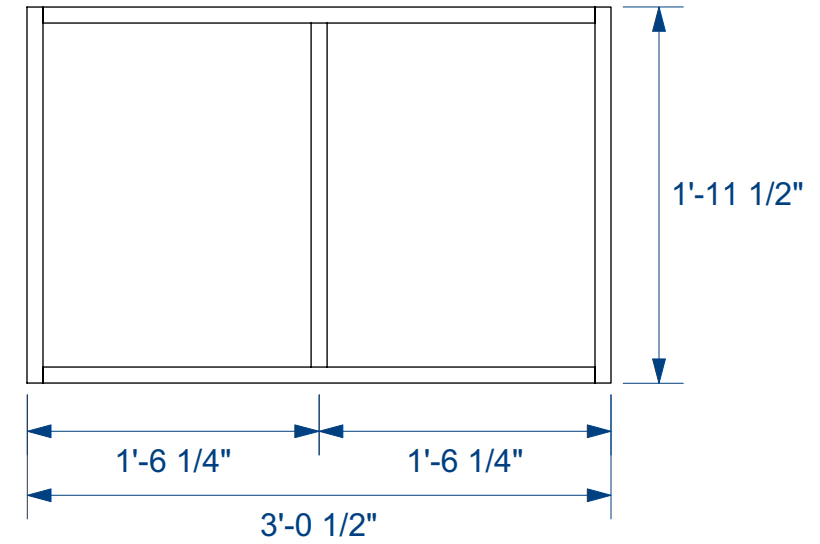
TOP SHELF
WELDED TO SIDES

BUILD FROM 1" BOX STEEL
FACE & FILLET WELD ALL JOINTS



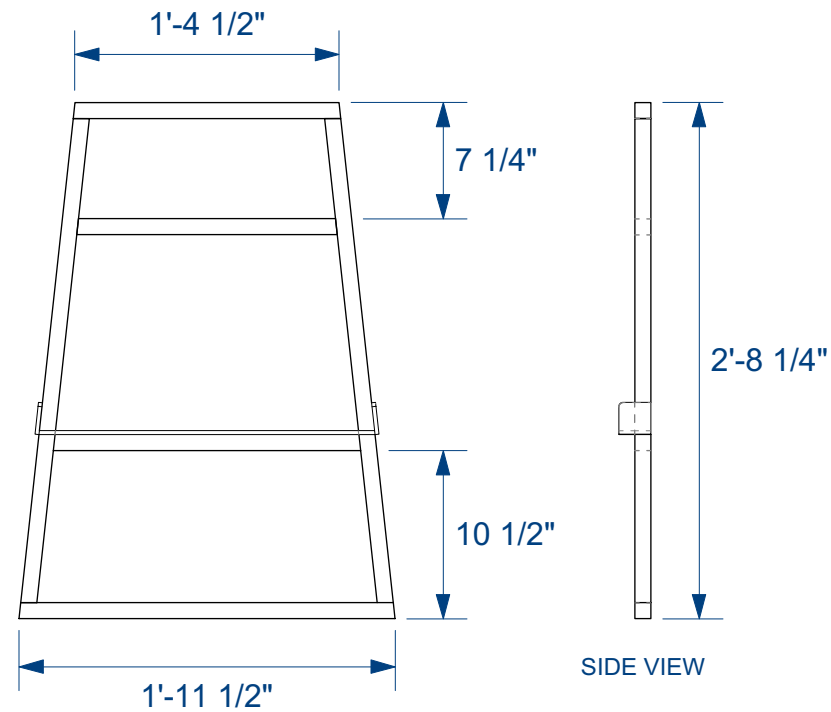
MIDDLE SHELF
SEPARATE FROM SIDES

BUILD FROM 1" BOX STEEL
FACE & FILLET WELD ALL JOINTS



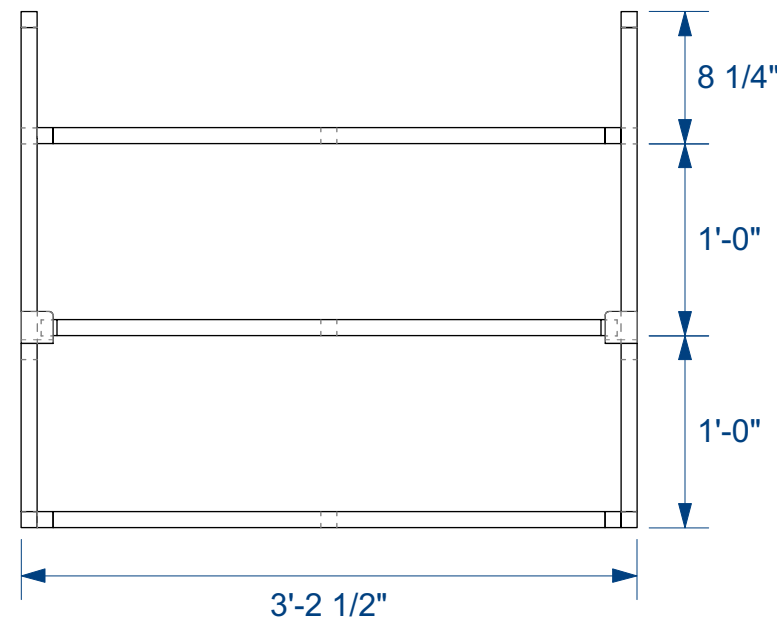
BOTTOM SHELF
WELDED TO SIDES

BUILD FROM 1" BOX STEEL
FACE & FILLET WELD ALL JOINTS
WELD ON 2" FLAT STOCK



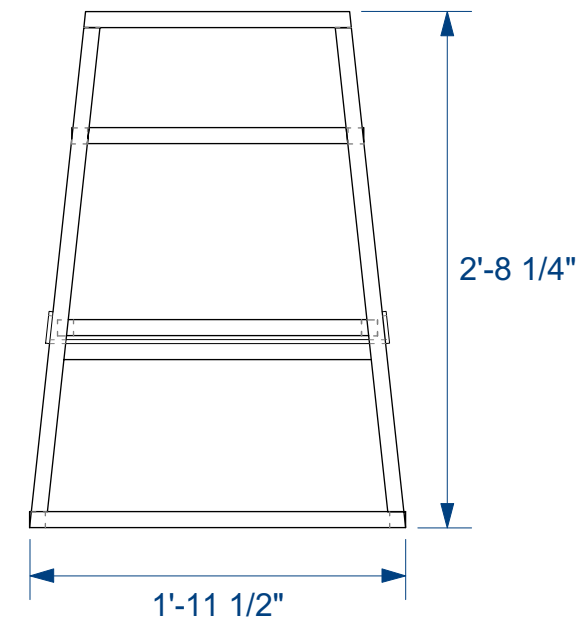
SIDE
BUILD 2

FACE & FILLET WELD
TOP & BOTTOM SHELVES TO SIDES
WELD 3" CASTERS TO BOTTOM CORNERS



CART
ASSEMBLY

SIDE VIEW



PLATE

1

OF 3

LIBRARY CART FRAME

THEATREVCU

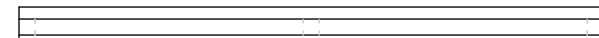
DATE: 02/15/18
REVISED: 03/20/18
SCALE: 1' = 1"



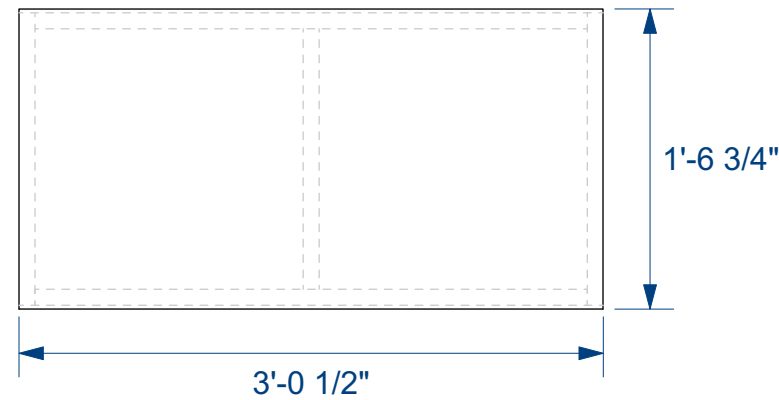
INTO THE WOODS

DIRECTOR: KIKAU ALVARO
SCENIC DESIGNER: KATE FIELD
PROPS MASTER: JULIA FOLKART
DRAFTER: STEPHAN STARLING

FACE TOP WITH 3/4" MDF
FACE BOTTOM, FRONT, & BACK WITH LAUAN

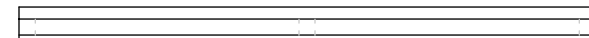


PLAN VIEW

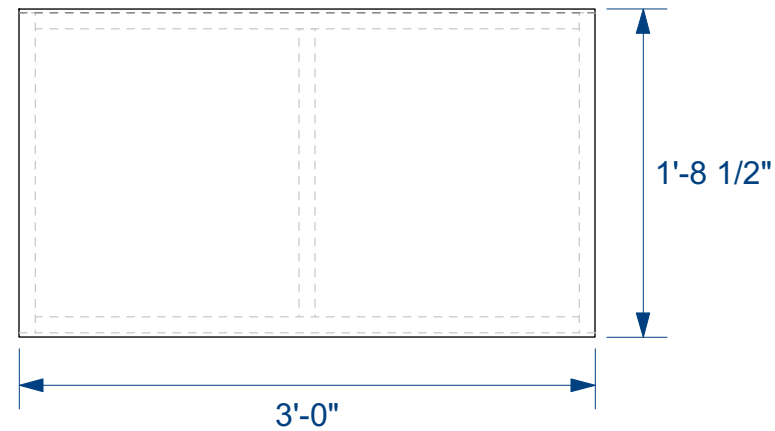


TOP SHELF
WELDED TO SIDES

FACE TOP WITH 3/4" MDF
FACE BOTTOM, FRONT, & BACK WITH LAUAN

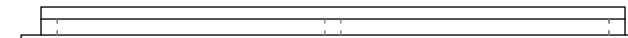


PLAN VIEW

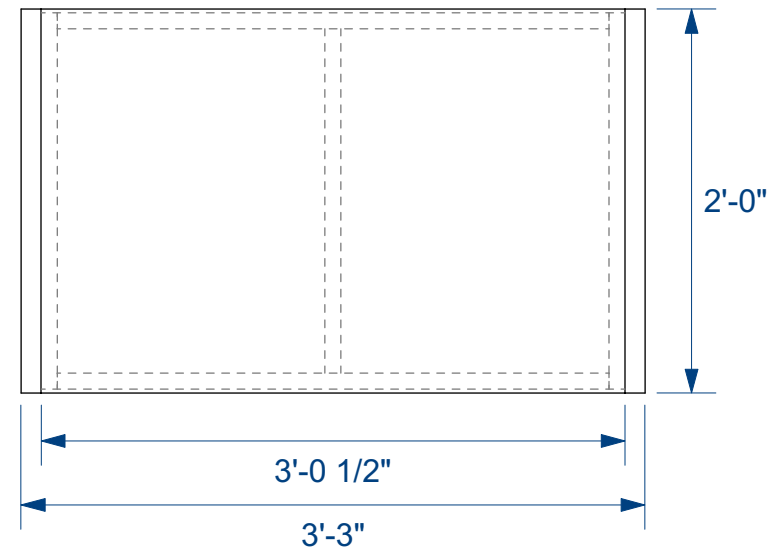


MIDDLE SHELF
SEPARATE FROM SIDES

FACE TOP WITH 3/4" MDF
FACE BOTTOM, FRONT, & BACK WITH LAUAN

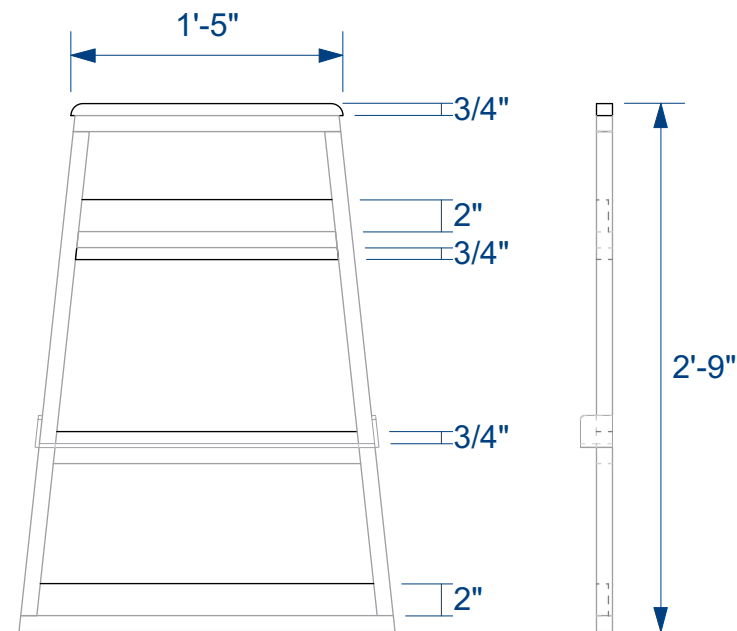


PLAN VIEW



BOTTOM SHELF
WELDED TO SIDES

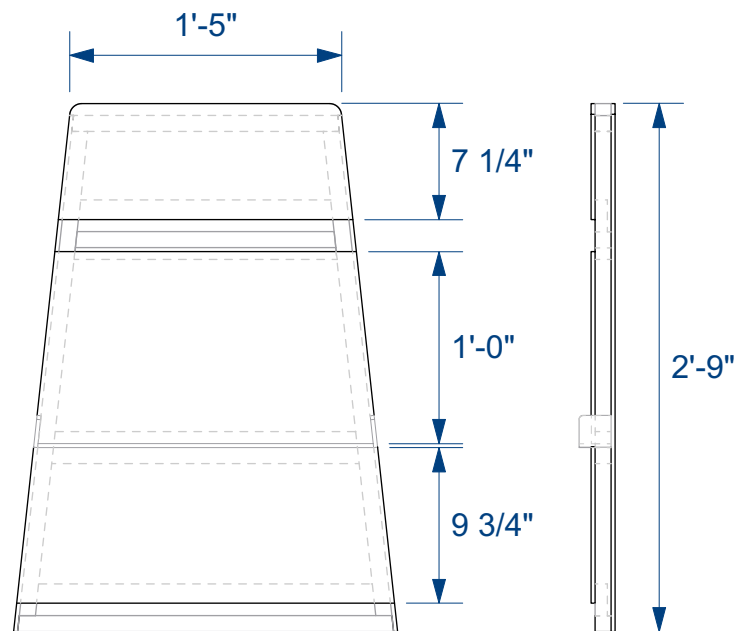
RIP 1"x4" TO SIZE
TECH SCREW AND LIQUID NAILS
ROUND CORNERS WITH BELT SANDER



SIDE
WOOD FRAMEING

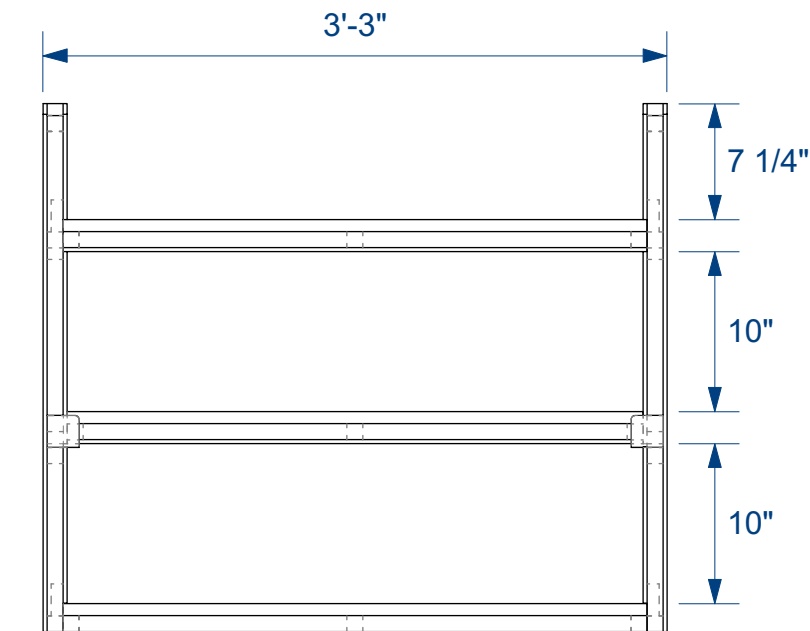
SIDE VIEW

TECH SCREW TO METAL FRAME
GLUE AND NARROW CROWN STAPLE
TO WOOD FAME



SIDE
LAUAN FACING

SIDE VIEW



CART
ASSEMBLY

PLATE

2

OF 3

LIBRARY CART FACING

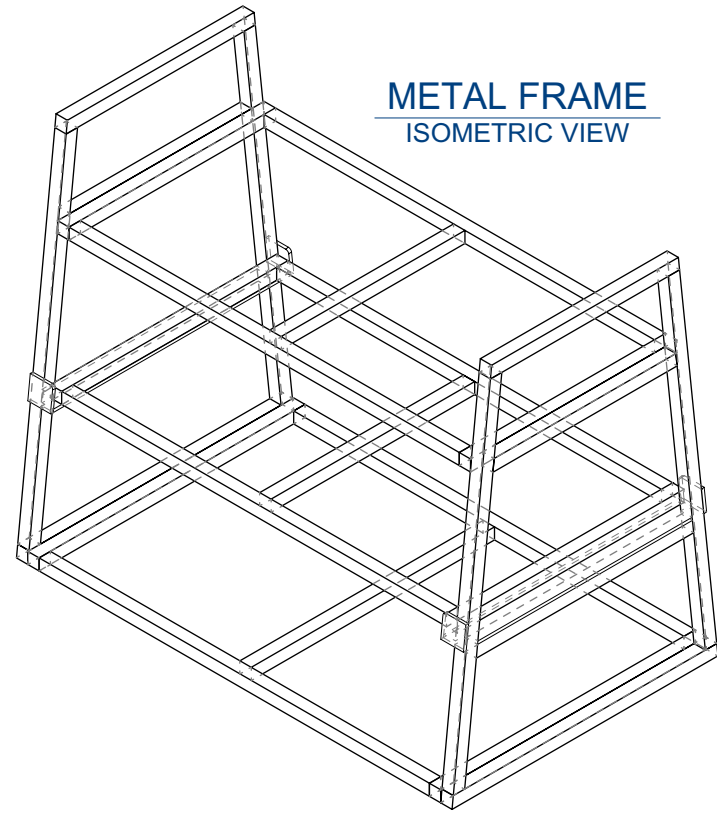
THEATREVCU

DATE: 02/15/18
REVISED: 03/20/18
SCALE: 1" = 1"



INTO THE WOODS

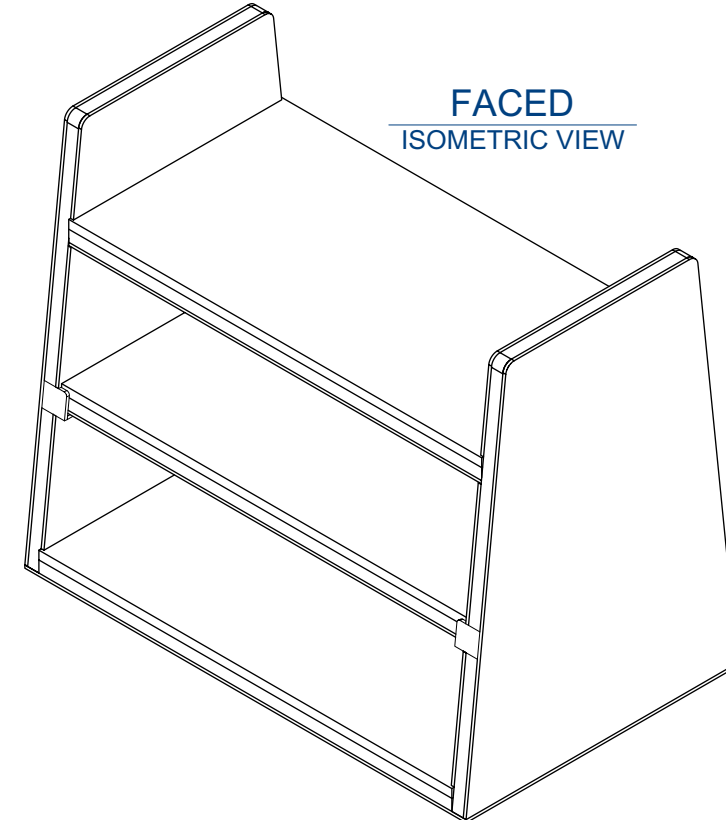
DIRECTOR: KIKAU ALVARO
SCENIC DESIGNER: KATE FIELD
PROPS MASTER: JULIA FOLKART
DRAFTER: STEPHAN STARLING



METAL FRAME
ISOMETRIC VIEW



WOOD FRAME
ISOMETRIC VIEW



FACED
ISOMETRIC VIEW

PLATE

3

OF 3

LIBRARY CART VIEW

THEATREVCU



DATE: 02/15/18
REVISED: 03/20/18
SCALE: 1' = 1"

INTO THE WOODS

DIRECTOR: KIKAU ALVARO
SCENIC DESIGNER: KATE FIELD
PROPS MASTER: JULIA FOLKART
DRAFTER: STEPHAN STARLING